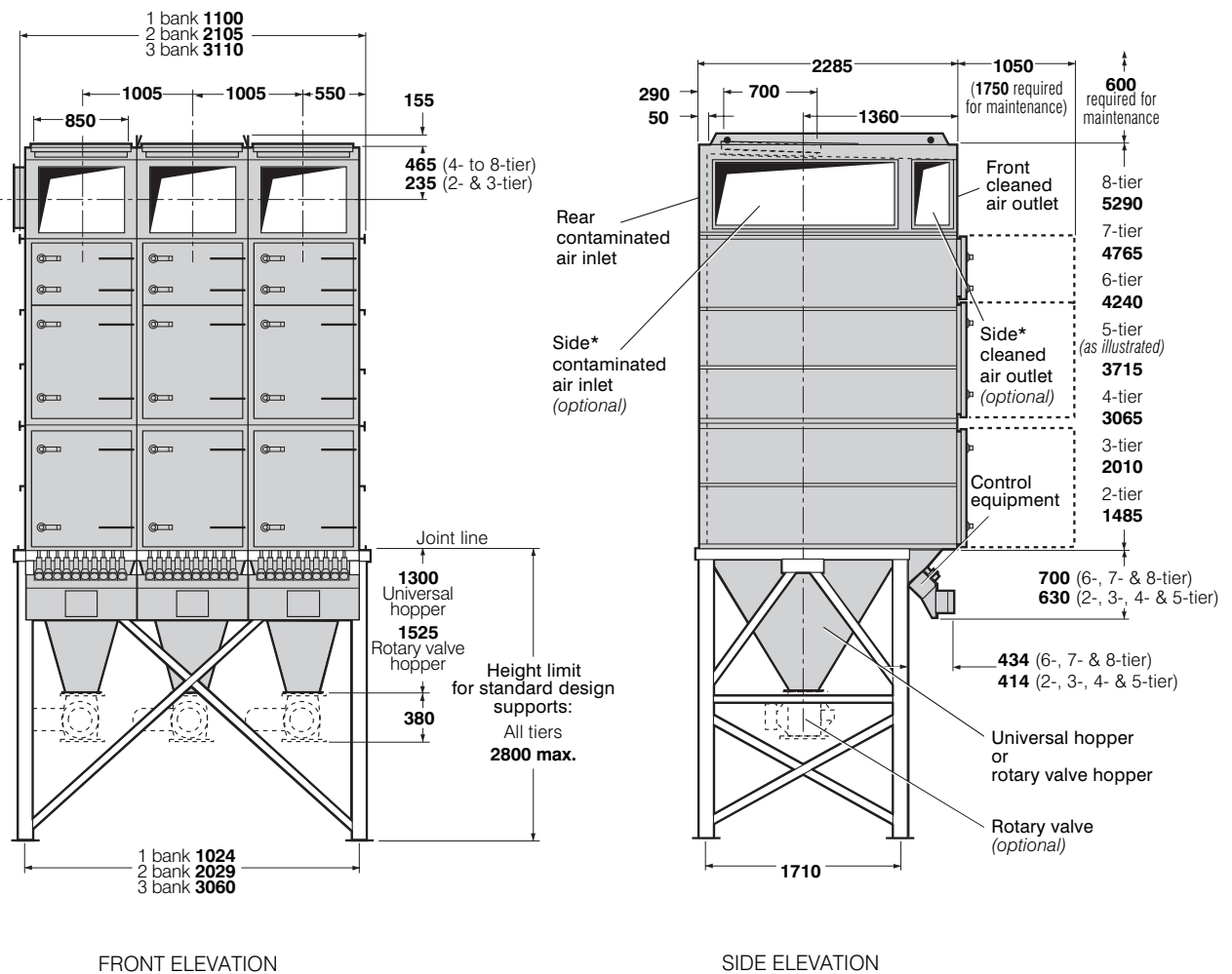


# Dalamatic Cased Dust Collectors

Series DLM 15



**Dalamatic 3-bank, 5-tier filter (DLM 3/5/15) with universal or rotary valve hoppers**

\*4- to 8-tier filters, 2- & 3-bank either end and 4- to 6-bank both ends

Large filters are assembled on site from suitable combinations of the above sizes

**SPECIFICATIONS**

| Designation | No. of banks | No. of tiers | No. of cells | Fabric area    | Air volume – F.A.D.* |      |
|-------------|--------------|--------------|--------------|----------------|----------------------|------|
|             | (a)          | (b)          | (a x b)      | m <sup>2</sup> | m <sup>3</sup> /h    | cfm  |
| DLM 1/2/15† | 1            | 2            | 2            | 30             | 8.7                  | 5.1  |
| DLM 1/3/15† | 1            | 3            | 3            | 45             | 11.2                 | 6.6  |
| DLM 1/4/15  | 1            | 4            | 4            | 60             | 16.1                 | 9.5  |
| DLM 1/5/15  | 1            | 5            | 5            | 75             | 16.1                 | 9.5  |
| DLM 1/6/15  | 1            | 6            | 6            | 90             | 26.3                 | 15.5 |
| DLM 1/7/15  | 1            | 7            | 7            | 105            | 28.9                 | 17.0 |
| DLM 1/8/15  | 1            | 8            | 8            | 120            | 28.9                 | 17.0 |
| DLM 2/2/15† | 2            | 2            | 4            | 60             | 17.3                 | 10.2 |
| DLM 2/3/15† | 2            | 3            | 6            | 90             | 22.4                 | 13.2 |
| DLM 2/4/15  | 2            | 4            | 8            | 120            | 32.3                 | 19.0 |
| DLM 2/5/15  | 2            | 5            | 10           | 150            | 32.3                 | 19.0 |
| DLM 2/6/15  | 2            | 6            | 12           | 180            | 52.6                 | 31.0 |
| DLM 2/7/15  | 2            | 7            | 14           | 210            | 57.7                 | 34.0 |
| DLM 2/8/15  | 2            | 8            | 16           | 240            | 57.7                 | 34.0 |
| DLM 3/2/15† | 3            | 2            | 6            | 90             | 26.0                 | 15.3 |
| DLM 3/3/15† | 3            | 3            | 9            | 135            | 33.6                 | 19.8 |
| DLM 3/4/15  | 3            | 4            | 12           | 180            | 48.4                 | 28.5 |
| DLM 3/5/15  | 3            | 5            | 15           | 225            | 48.4                 | 28.5 |
| DLM 3/6/15  | 3            | 6            | 18           | 270            | 78.9                 | 46.5 |
| DLM 3/7/15  | 3            | 7            | 21           | 315            | 86.6                 | 51.0 |
| DLM 3/8/15  | 3            | 8            | 24           | 360            | 86.6                 | 51.0 |

**Large filters are assembled on site from suitable combinations of the above sizes**

There is no limit to the number of banks which may be joined together – e.g. **DLM 10/8/15** (80 cells, 1200m<sup>2</sup> fabric area)

\*Pulse duration: 110 millisecond. Recommended atmospheric air volume of clean, dry compressed air at the following maximum pressures:

● All 2-tier filters: 3.8 bar (55 psig) ● All 3-tier filters: 4.5 bar (65 psig) ● All 4-, 5-, 6-, 7- & 8-tier filters: 6.2 bar (90 psig)

†Supplied pre-assembled. All other filters are supplied in two or more sections.

**APPROXIMATE NET WEIGHTS in kg  
(Filter and control equipment only)**

|               | 1-bank | 2-bank | 3-bank | 4-bank | 5-bank | 6-bank | 7-bank | 8-bank | 9-bank | 10-bank |
|---------------|--------|--------|--------|--------|--------|--------|--------|--------|--------|---------|
| <b>2-tier</b> | 650    | 1220   | 1790   | 2410   | 2980   | 3550   | 4170   | 4740   | 5310   | 5930    |
| <b>3-tier</b> | 845    | 1570   | 2295   | 3095   | 3820   | 4545   | 5345   | 6070   | 6795   | 7595    |
| <b>4-tier</b> | 1100   | 2020   | 2940   | 3985   | 4905   | 5825   | 6870   | 7790   | 8710   | 9755    |
| <b>5-tier</b> | 1330   | 2455   | 3580   | 4845   | 5970   | 7095   | 8360   | 9485   | 10610  | 11875   |
| <b>6-tier</b> | 1555   | 2850   | 4145   | 5620   | 6915   | 8210   | 9685   | 10980  | 12275  | 13750   |
| <b>7-tier</b> | 1750   | 3195   | 4640   | 6295   | 7740   | 9185   | 10840  | 12285  | 13730  | 15385   |
| <b>8-tier</b> | 1945   | 3540   | 5135   | 6970   | 8565   | 10160  | 11995  | 13590  | 15185  | 17020   |

For larger sizes please refer to Torit DCE

**DESIGN LIMITS (standard equipment)**

**Temperature range** (alternatives according to type of sealer used): **(1)** –10° to +60°C; **(2)** –10° to +200°C.

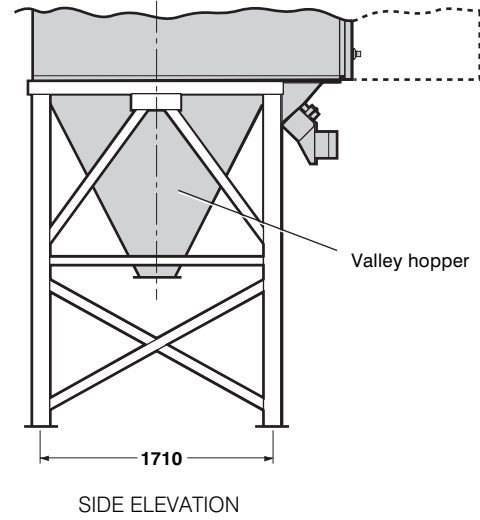
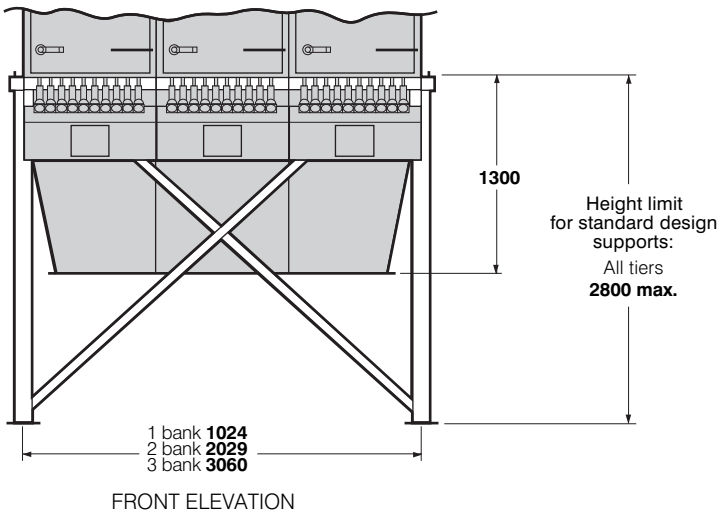
**Pressure limits:** **(a)** –500mm WG; **(b)** – 1140mm WG. (NOTE: For positive pressures please refer to Torit DCE).

**Dimension tolerances:** ± 5mm on main dimensions. ± 2mm on detail dimensions.

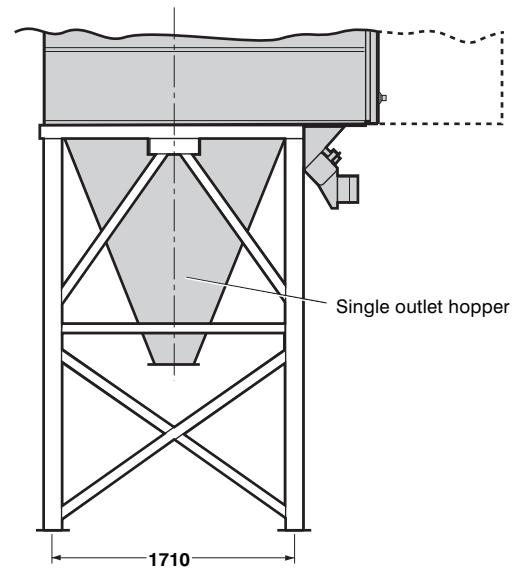
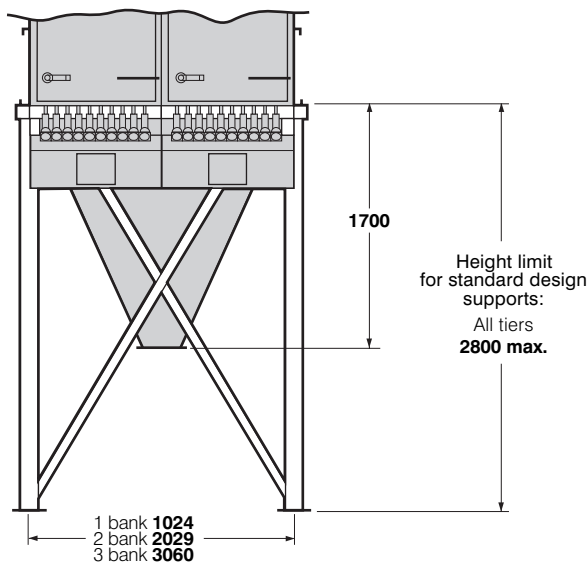
**ELECTRICAL REQUIREMENTS**

**Controller:** RJC 10-way

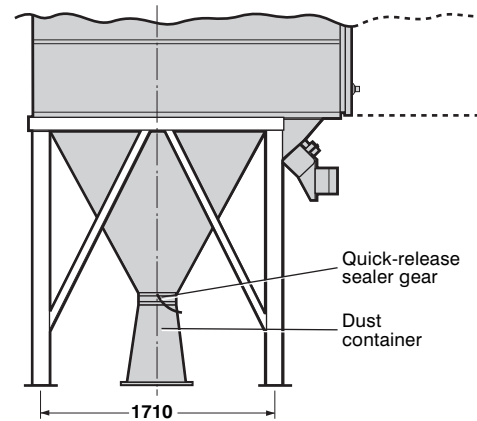
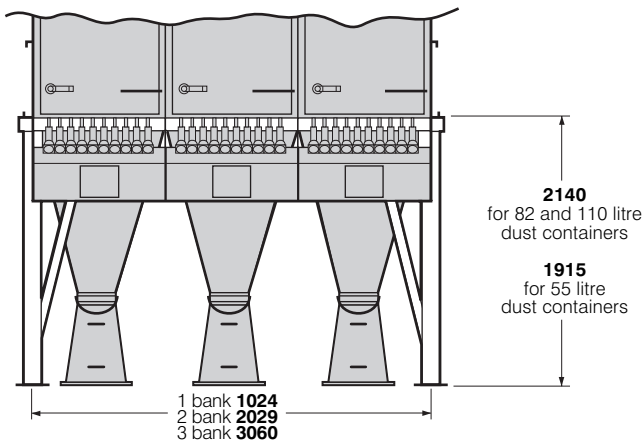
**Voltage input:** AC version: 105-120V, 200-240V ± 10% DC version: 24V



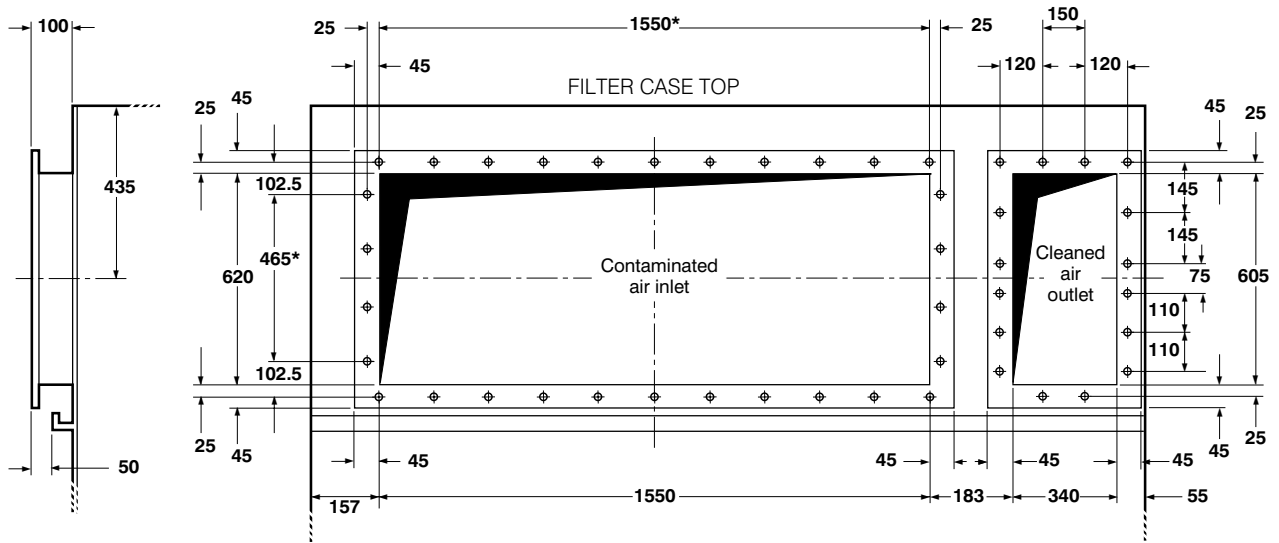
**Multi-bank filter with valley hopper for attachment to screw conveyor**



**Dalmatic 2-bank filter with single outlet hopper**



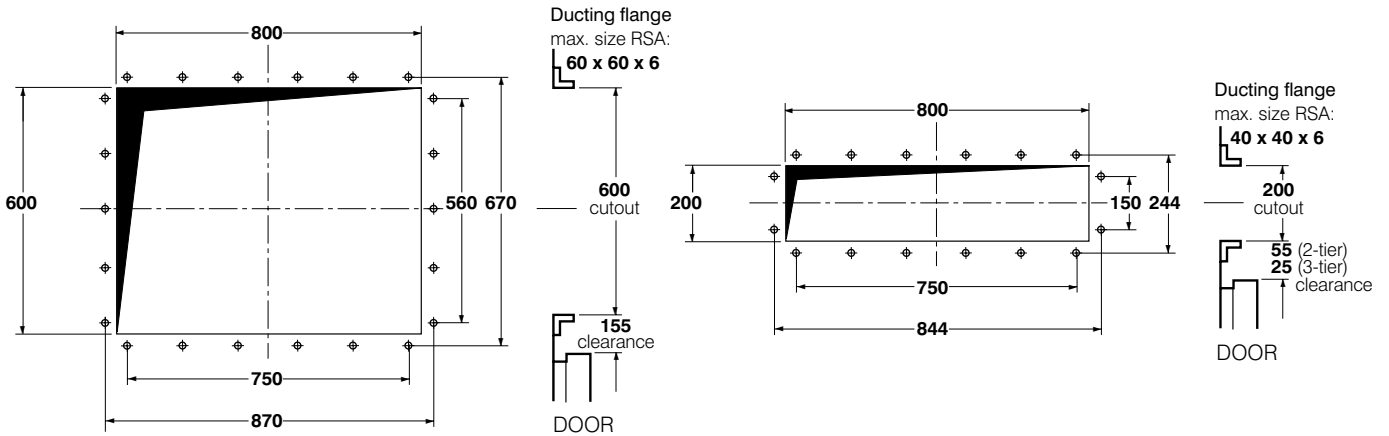
**Multi-bank filter with dust containers**



**Optional side contaminated air inlet and cleaned air outlet for 4- to 8-tier filters, 2- & 3-bank either end and 4- to 6-bank both ends**

All bolt holes Ø12mm for M10 bolts. \*Pitch centres: 155mm.

NOTE: Consult with Torit DCE for suitability



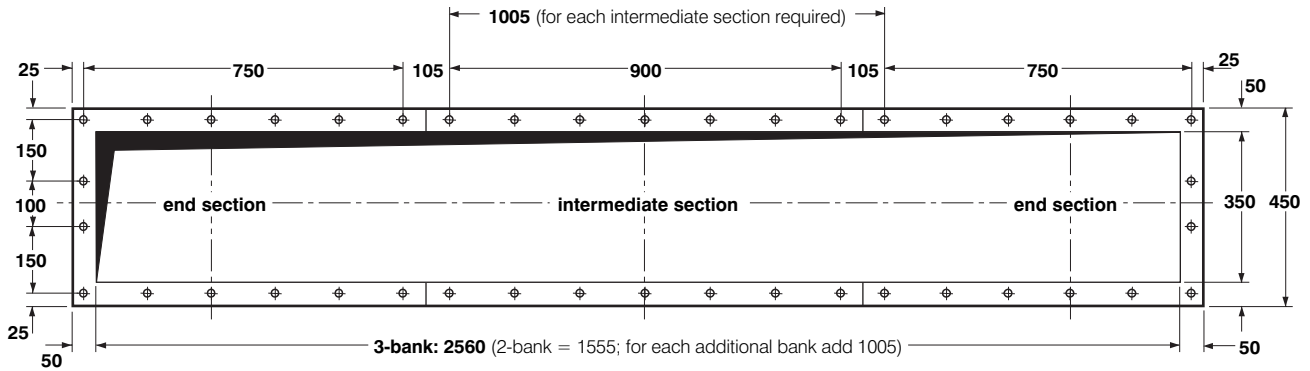
**Rear contaminated air inlet and front cleaned air outlet for 4- to 8-tier filters**

All bolt holes Ø12mm for M10 bolts.  
Pitch centres: 150mm horizontally; 140mm vertically.

**Rear contaminated air inlet and front cleaned air outlet for 2- to 3-tier filters**

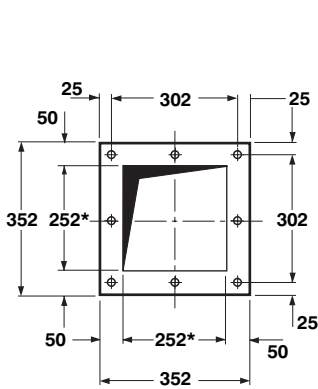
All bolt holes Ø12mm for M10 bolts.  
Pitch centres: 150mm.

**Contaminated air inlet and cleaned air outlet connection details**



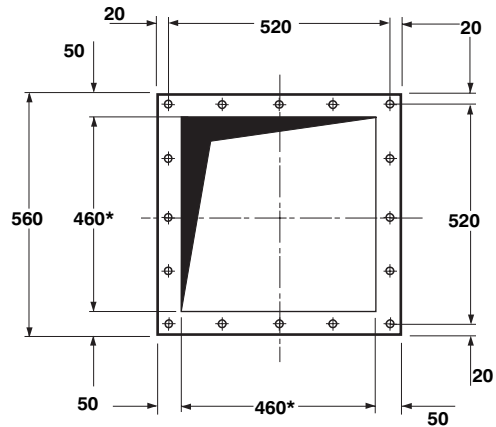
**Valley hopper flange for multi-bank filters**

(3-bank illustrated. Larger assemblies incorporate additional intermediate sections)  
 All holes 12 x 20mm slots, parallel to long edge. Hole centres at 150mm pitch except where shown



**Rotary valve hopper flange**

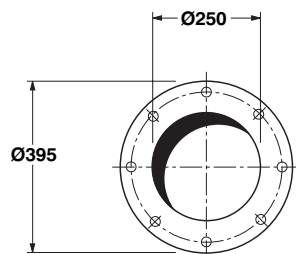
All bolt holes 14mm dia. for M12 bolts. Pitch centres: 151mm  
 \*Inside dims. of hopper outlet = 242 x 242mm



**Universal, and single outlet, hopper flange**

All bolt holes 12mm dia. for M10 bolts. Pitch centres: 130mm  
 \*Inside dims. of hopper outlet = 450 x 450mm

**Hopper outlet flange details**

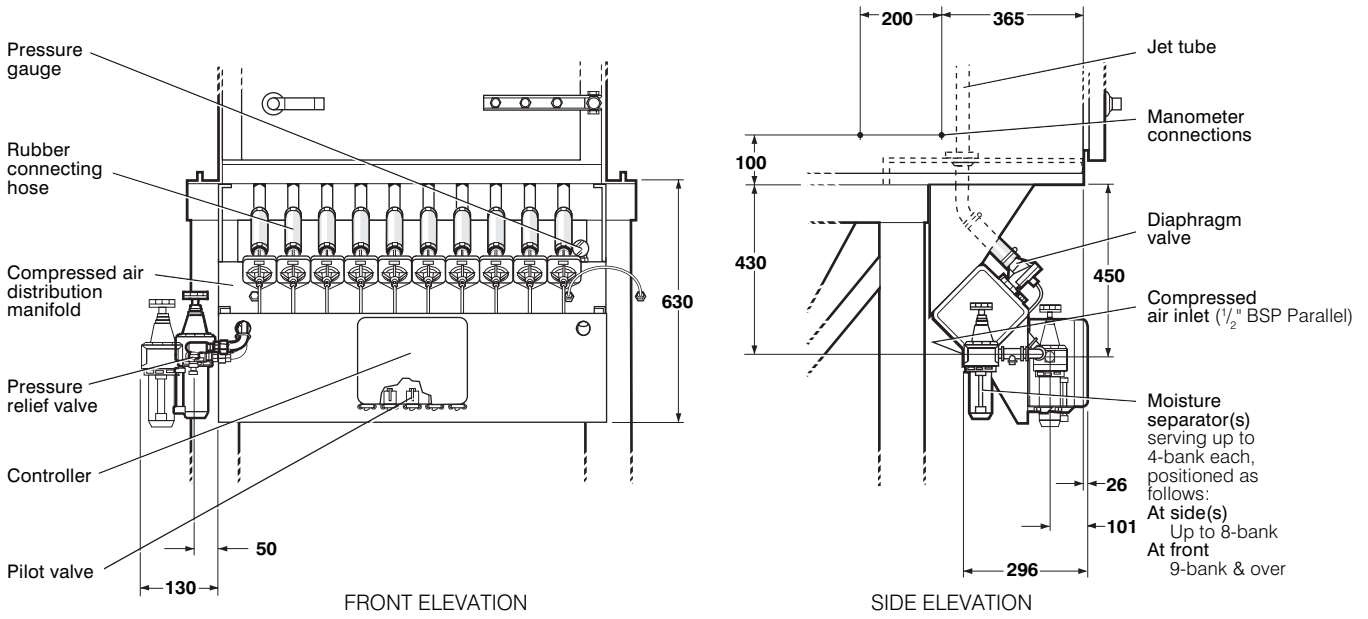


**Rotary valve flange  
 (for rotary valve supplied by Torit DCE)**

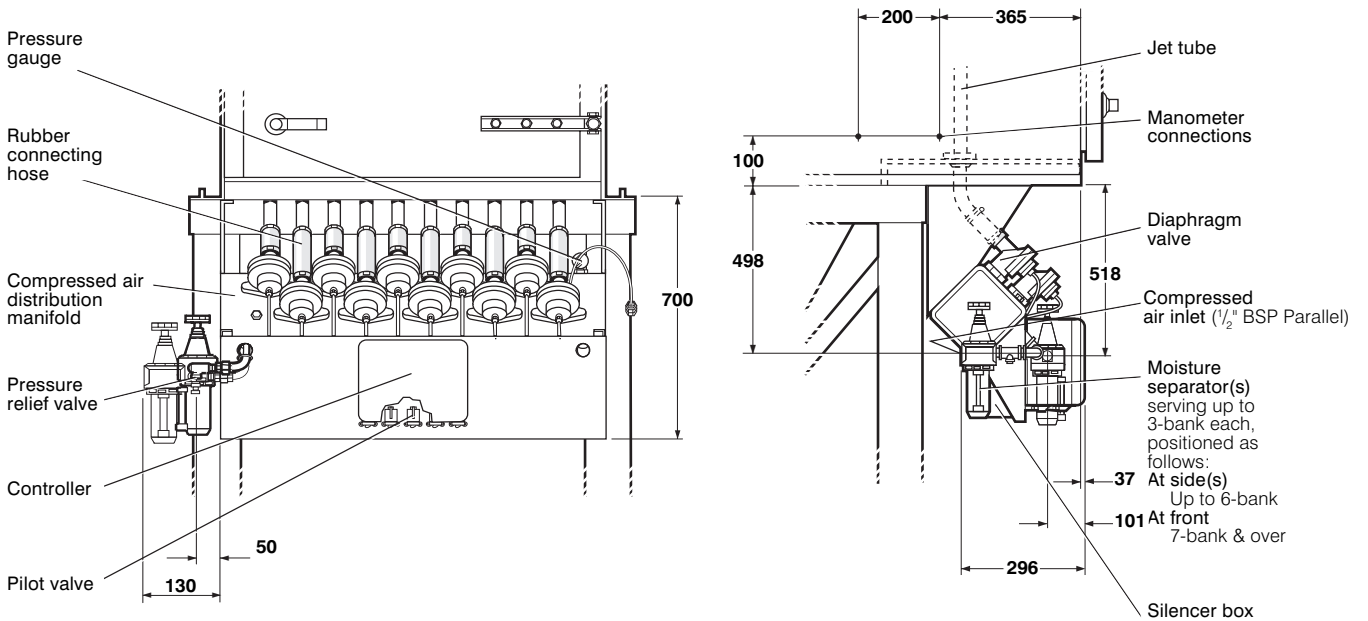
All holes Ø14mm for M12 bolts equally spaced on 350mm p.c.d.

**Rotary valve outlet flange details**

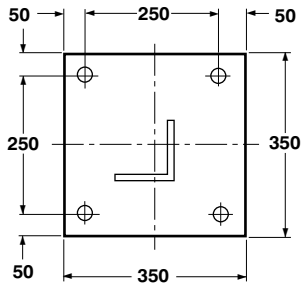
**Dalamatic Cased Dust Collectors – Series DLM 15**



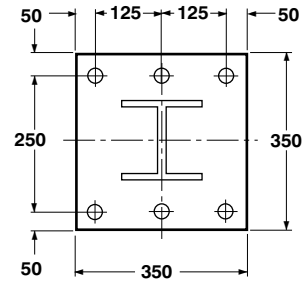
**Control equipment for 2-, 3-, 4- & 5-tier filters**



**Control equipment for 6-, 7- & 8-tier filters**



**a** for corner legs  
1- to 10-bank

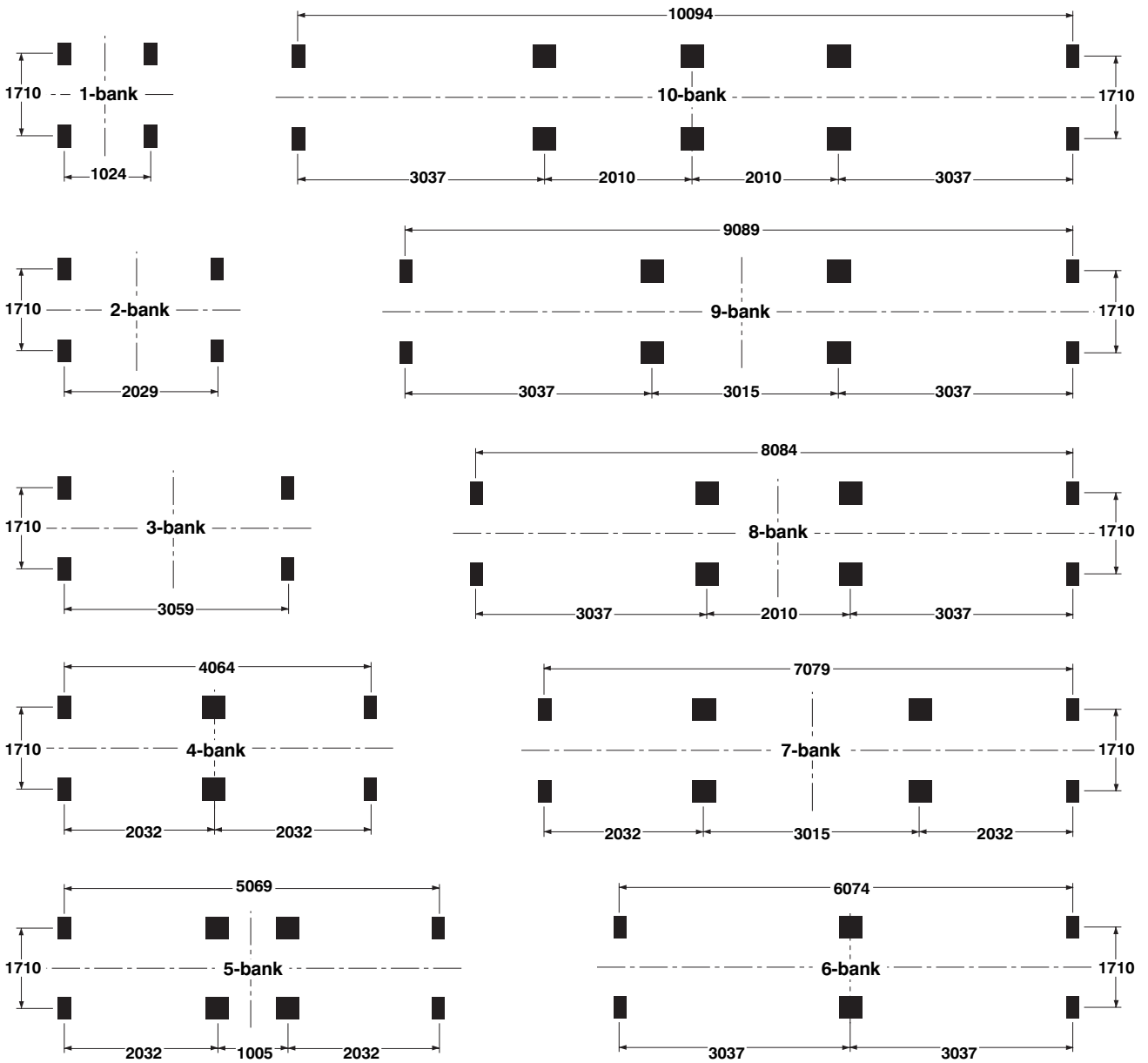


**b** for inner legs  
4- to 10-bank

**Support feet–standard design**

All bolt holes 28 mm dia. for 25 mm bolts

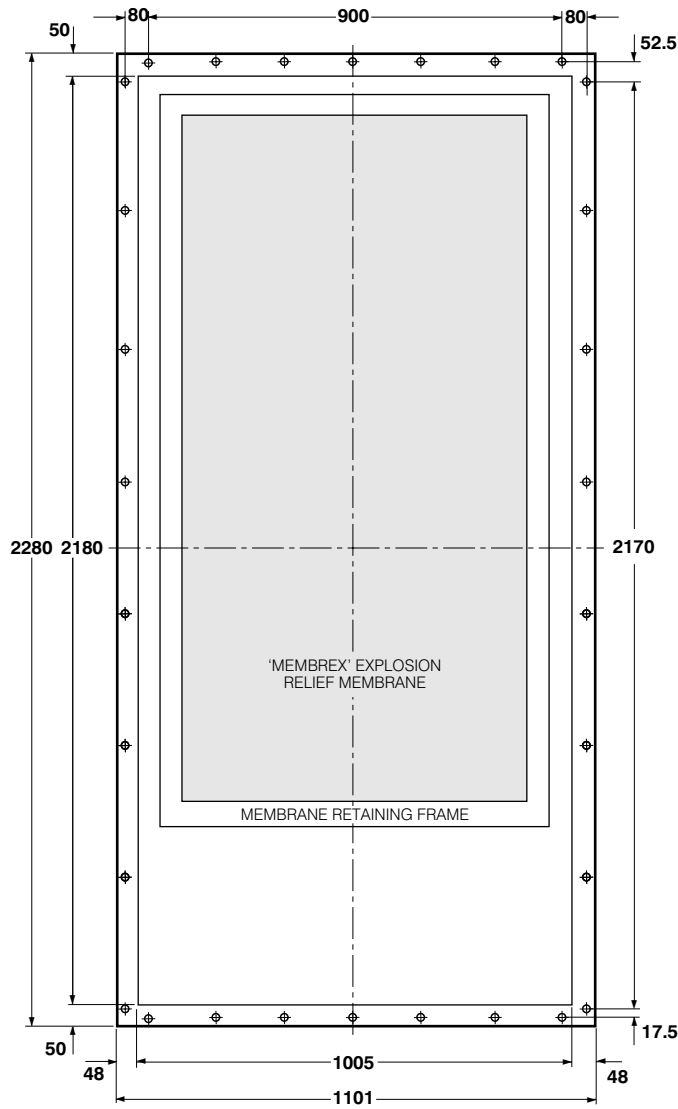
No deviation from these designs should be made without prior consultation with Torit DCE



**Dimensions between feet centres**

**Foundation details**

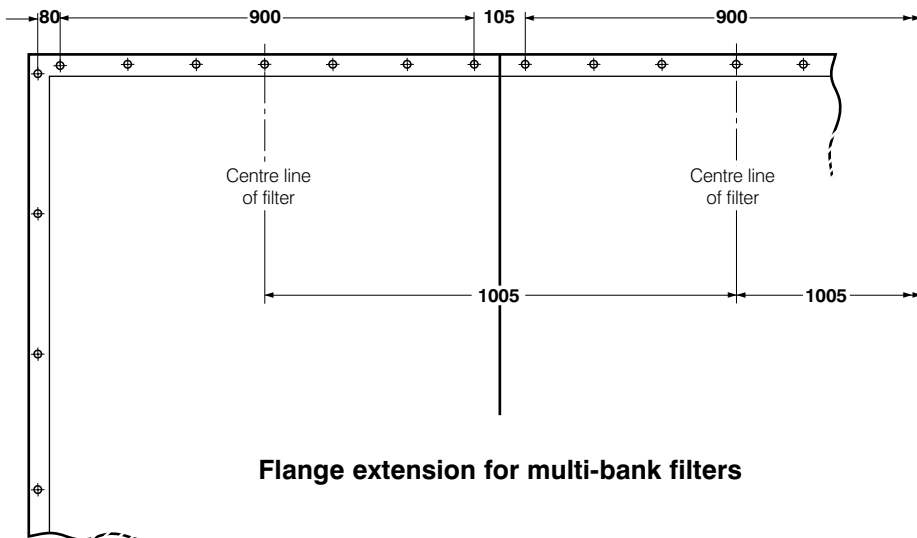
**Dalamatic Cased Dust Collectors – Series DLM 15**



**Top explosion relief flange**

All holes 12 x 20 slots for M10 bolts. Pitch centres: 150mm horizontally, 310mm vertically.  
Mounting flange is flush with top of filter.

NOTE: The membrane retaining frame projects 80mm beyond top of unit.

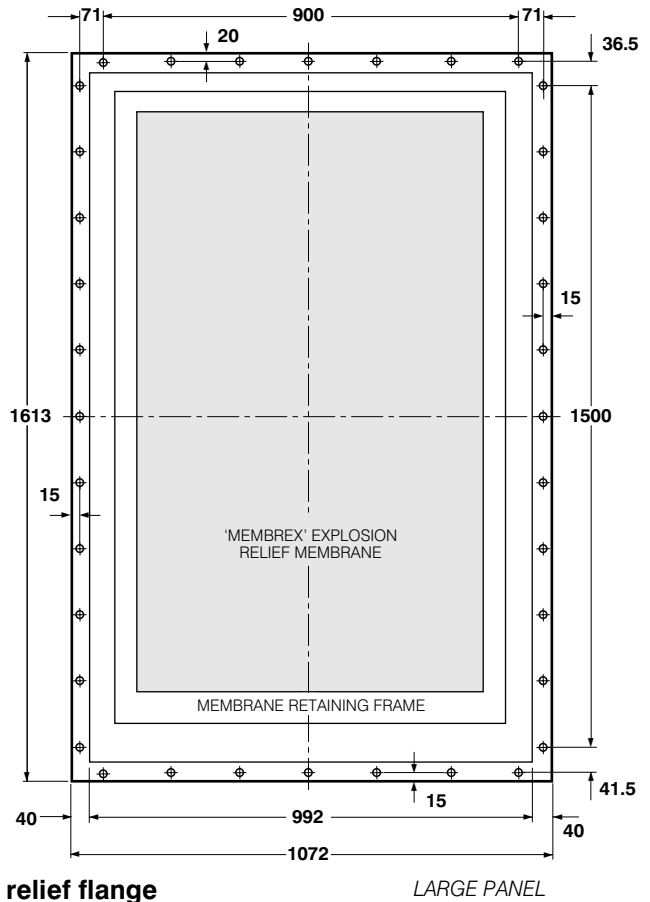
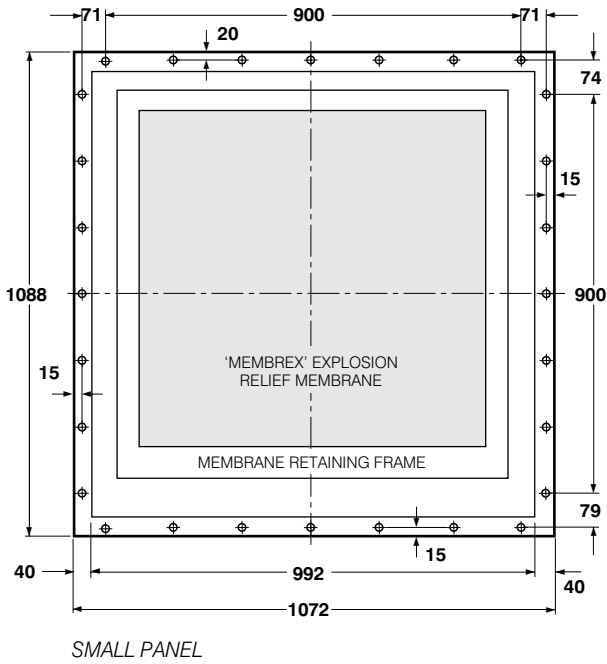


**Flange extension for multi-bank filters**

**Explosion relief flange mounting details**

Weather protection is available for those units fitted with top explosion relief

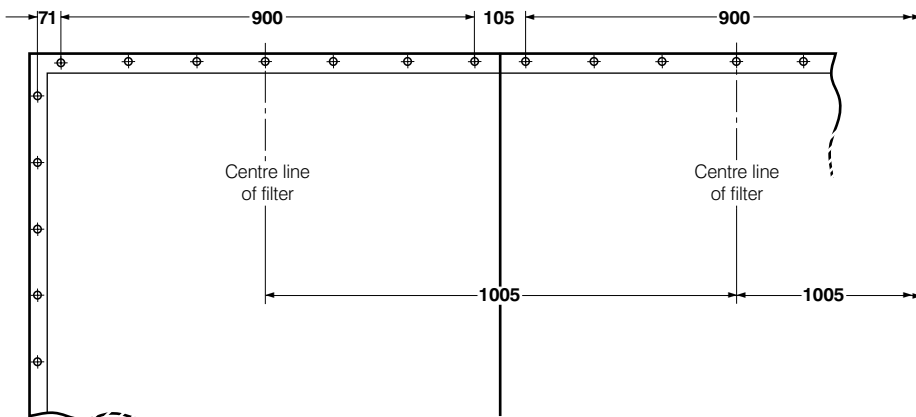




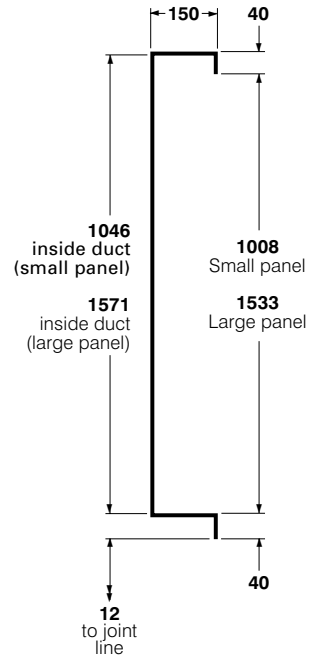
**Rear explosion relief flange**

Bottom & vertical bolt holes 10 mm dia. Top bolt holes 10 x 20 mm slots  
All for M8 set screws with pitch centres at 150 mm

NOTE: Mounting flange projects 100 mm beyond rear of filter

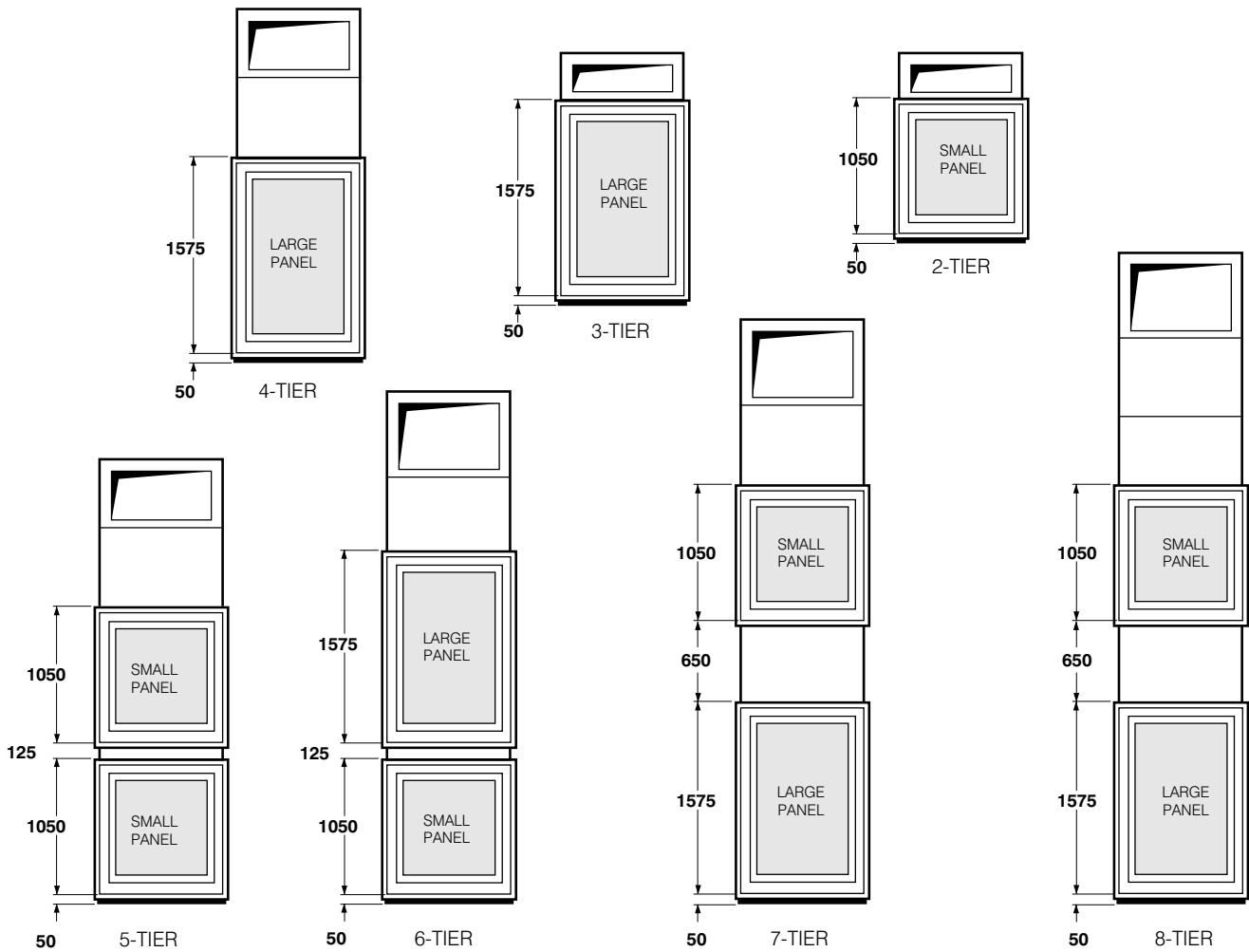


**Flange extension for multi-bank filters**



**Flange section**

**Explosion relief flange mounting details**



**Rear explosion relief location**  
(1-bank filters illustrated)

**Explosion relief flange mounting details**



www.toritdce.com  
www.donaldson.com

Humberstone Lane  
Thurmaston  
Leicester LE4 8HP  
England

Tel +44 (0)116 269 6161  
Fax +44 (0)116 269 3028

Email: toritdce.uk@mail.donaldson.com

Research Park Zone 1  
Interleuvenlaan 1  
B-3001 Leuven (Heverlee)  
Belgium

Tel +32 (0)16 383 970  
Fax +32 (0)16 383 938

Email: toritdce.be@mail.donaldson.com